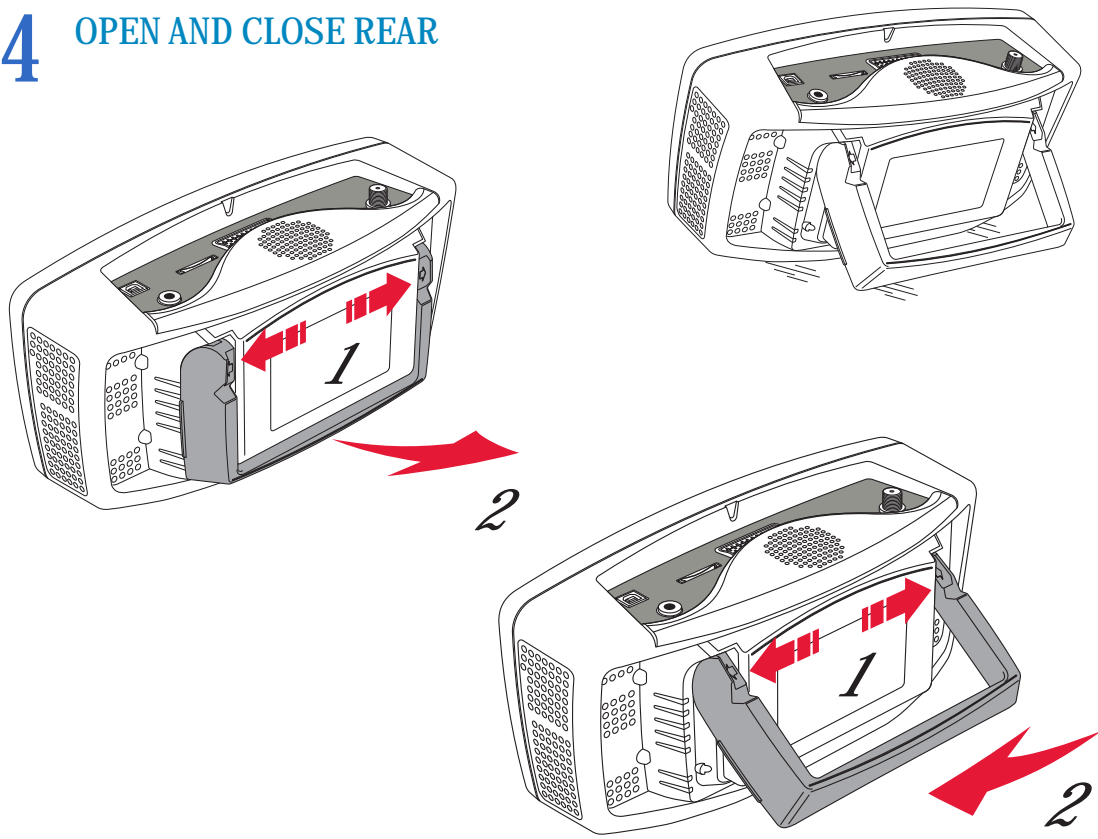
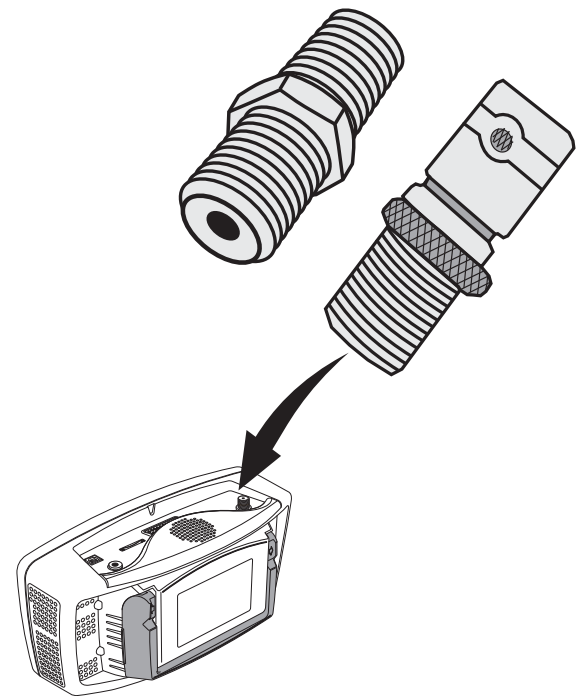


## 4 OPEN AND CLOSE REAR

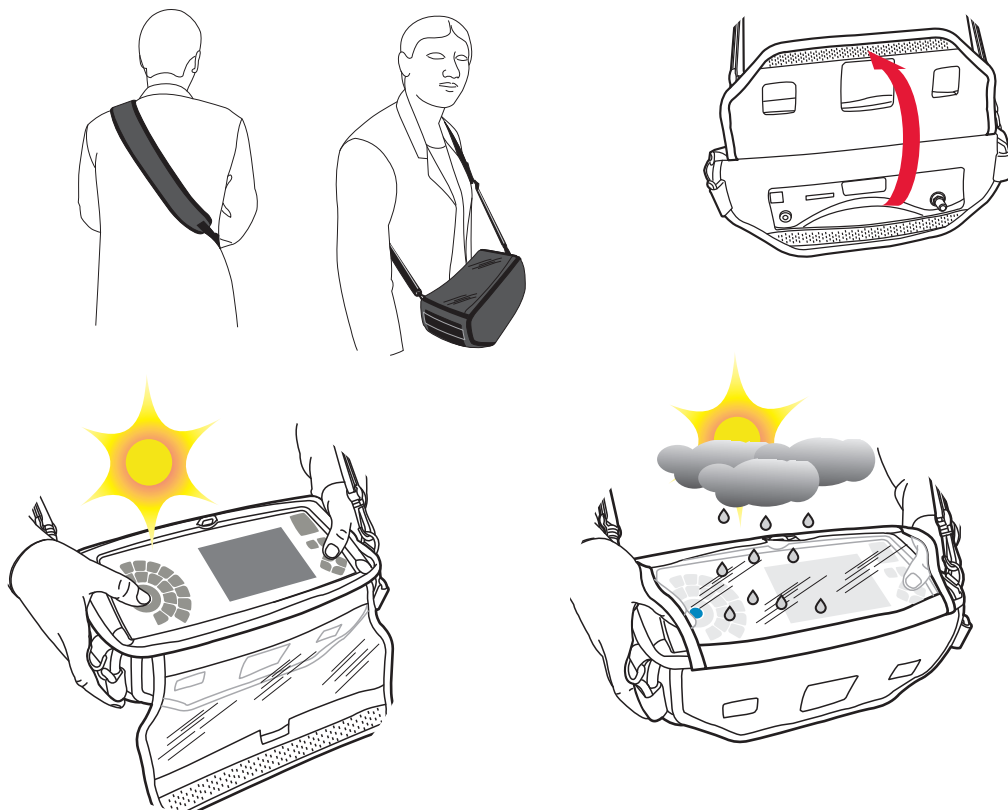


## 5 INTERCHANGEABLE CONNECTOR

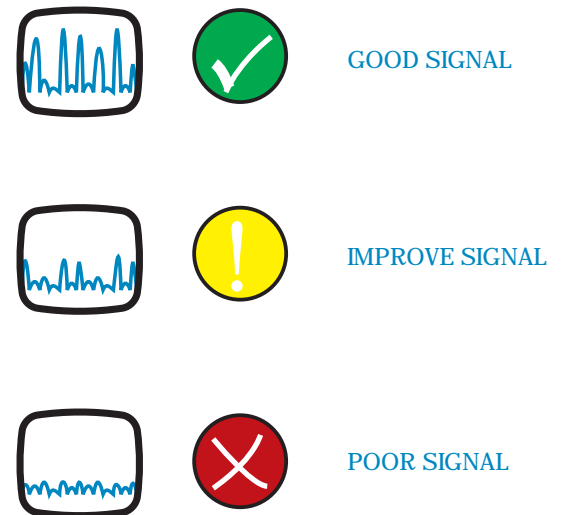


We recommend replacing after extended use

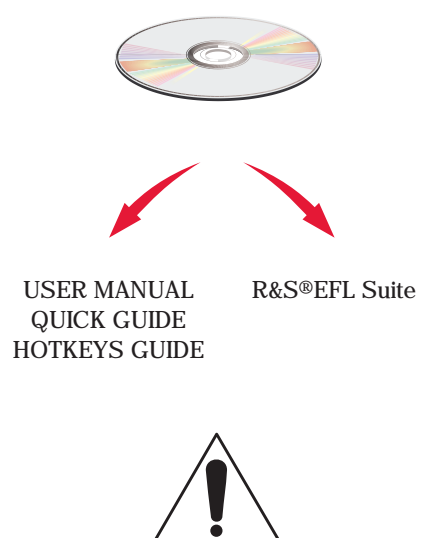
## 6 PROTECTION CASE OPTION



## 7 QUALITY CHECK MARKS

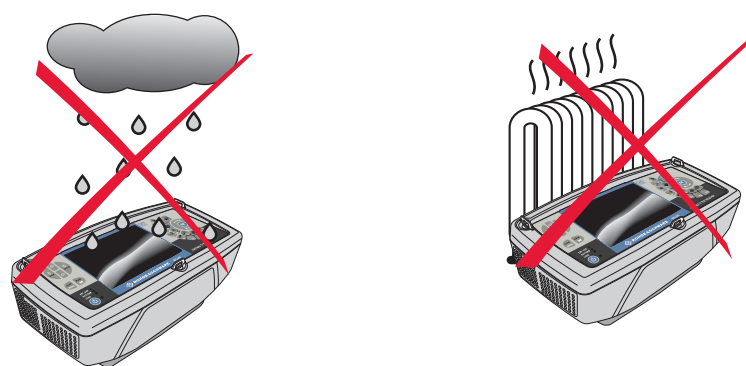


## 8 CD INCLUDED & INTERNET



## 9 SAFETY INSTRUCTIONS

Read through and comply with the safety instruction provided in the User Manual



## 10

DVB<sup>®</sup>  
Digital Video  
Broadcasting



Li-ION  
battery

